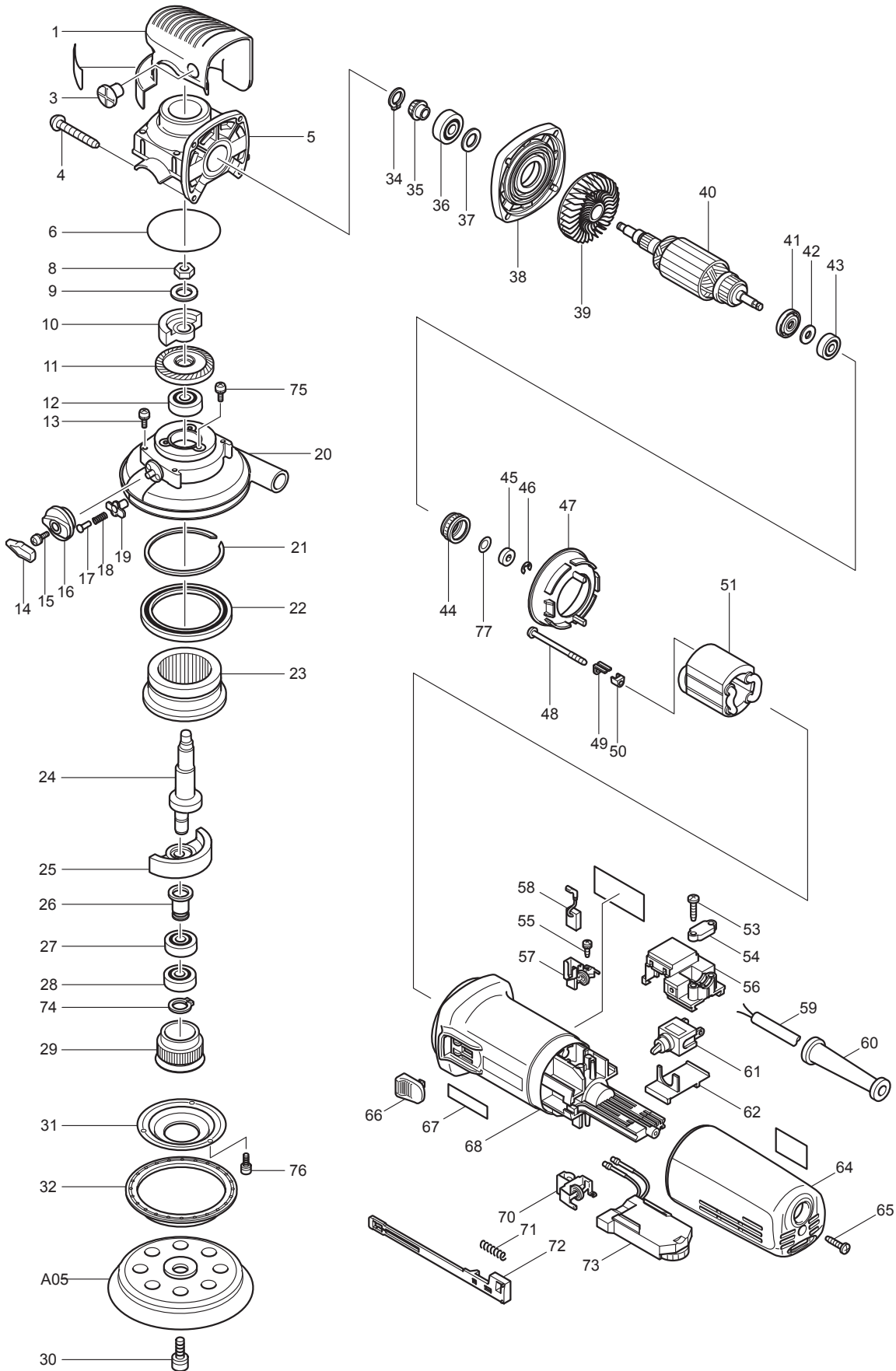




07 - 2010  
BO6040  
6" RANDOM ORBIT SANDER



Item No.	Type	Sub	Part No.	Description (* see Service changes on the bottom)	Qty	Unit
1			417371-2	HEAD COVER	1	PC.
3			265083-9	+ FLAT HEAD SCREW M8X11	2	PC.
4			266050-7	TAPPING SCREW 4X30	4	PC.
5			152671-0	* GEAR HOUSING COMPLETE	1	PC.
6			213724-1	O RING 62	1	PC.
8			931503-2	HEX. NUT M10	1	PC.
9			253024-7	FLAT WASHER 10	1	PC.
10			324071-6	UPPER BALANCE WEIGHT	1	PC.
11			152674-4	SPIRAL BEVEL GEAR 42 COMPLETE	1	PC.
12			211106-1	BALL BEARING 6201LLB	1	PC.
13			911126-2	PAN HEAD SCREW M4X16	4	PC.
14			417373-8	CAP	1	PC.
15			911119-9	PAN HEAD SCREW M4X12	1	PC.
16			153428-2	* KNOB COMPLETE (OLD# 152987-3 - N/L/A)	1	PC.
		INC.	216011-7	STEEL BALL 5.6	1	PC.
		INC.	231234-6	COMPRESSION SPRING 3.5	1	PC.
17			417382-7	SPRING HOLDER	1	PC.
18			231230-4	COMPRESSION SPRING 4	1	PC.
19			345209-0	* HOLDER (OLD# 162219-0 - N/L/A)	1	PC.
20	1		152948-3	* SKIRT COMPLETE	1	PC.
	2		152948-3	* SKIRT COMPLETE	1	PC.
21			257933-2	STOP RING (EXT) WR-55	1	PC.
22			211654-0	BALL BEARING 6811LLB	1	PC.
23			227008-1	INTERNAL GEAR 29	1	PC.
24			324069-3	SPINDLE	1	PC.
25			324072-4	LOWER BALANCE WEIGHT	1	PC.
26			324070-8	SLEEVE	1	PC.
27			211131-2	BALL BEARING 6001DDW	1	PC.
28			211131-2	BALL BEARING 6001DDW	1	PC.
29			152760-1	SPUR GEAR 26 COMPLETE	1	PC.
30			266270-3	HEX.SOCKET HEAD BOLT M8X14	1	PC.
31			152761-9	BEARING RETAINER 80 COMPLETE	1	PC.
32			421763-9	RUBBER GUARD	1	PC.
34			961002-0	RETAINING RING S-6	1	PC.
35			227402-7	SPIRAL BEVEL GEAR 9	1	PC.
36			211142-7	BALL BEARING 6001LLB	1	PC.
37			253084-9	FLAT WASHER 12	1	PC.
38			317359-1	GEAR HOUSING COVER	1	PC.
39			240033-5	FAN 57	1	PC.
40	1		515201-2	* ARMATURE ASS'Y 115V - N/L/A	1	PC.
		INC.		* Item No. 39,41-43		
	2		515221-6	* ARMATURE ASS'Y 115V	1	PC.
		INC.		* Item No. 39,41-43		
41			681656-4	INSULATION WASHER	1	PC.
42			253823-7	FLAT WASHER 7	1	PC.
43			210027-4	BALL BEARING 627DDW	1	PC.
44			421738-8	LABYRINTH RUBBER RING 22	1	PC.
45			688117-5	MAGNET SLEEVE	1	PC.
46	1		961011-9	* STOP RING E-4	1	PC.
	2		259039-2	* SELF LOCK 6	1	PC.
47			413076-2	BAFFLE PLATE	1	PC.
48			266274-5	TAPPING SCREW 4X55	2	PC.
49			344871-8	RETAINER	2	PC.
50			417237-6	INSULATION COVER	2	PC.
51			626531-7	FIELD 115V	1	PC.
53			265995-6	TAPPING SCREW 4X18	2	PC.

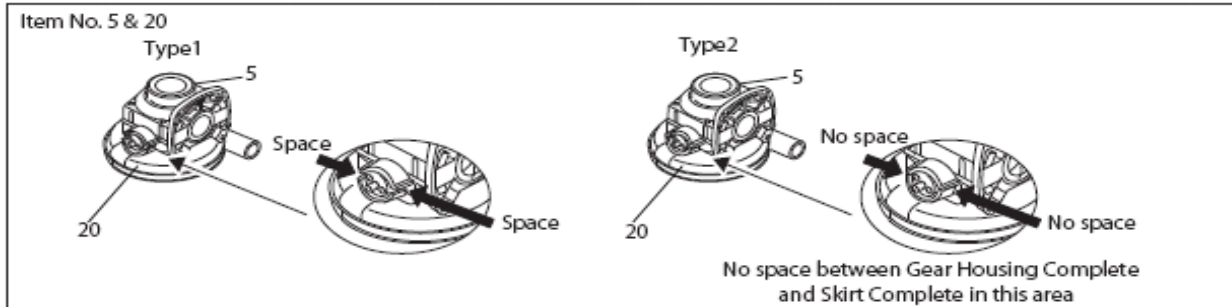
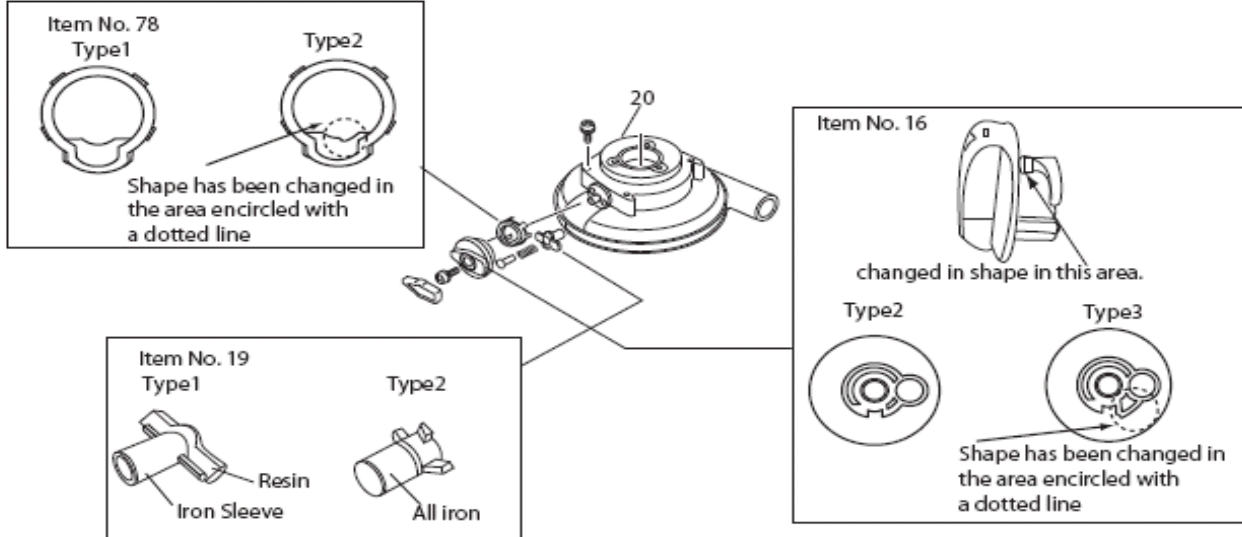
Item No.	Type	Sub	Part No.	Description (* see Service changes on the bottom)	Qty	Unit
54			687063-9	CORD CLAMP	1	PC.
55			266256-7	TAPPING SCREW PT3X10	4	PC.
56			632999-7	SWITCH BLOCK	1	PC.
57			643760-7	BRUSH HOLDER	1	PC.
58	1		191978-9	A.C. CARBON BRUSH CB-318 2PC/SET (W/O ORIGIN)	1	SET
	2		194999-0	A.C. CARBON BRUSH CB-318 2PC/SET (W/ ORIGIN)	1	SET
	3		195396-3	A.C. CARBON BRUSH CB-336 2PC/SET (W/ ORIGIN)	1	SET
	4		196454-8	A.C. CARBON BRUSH CB-340 2PC/SET (W/ ORIGIN)	1	SET
59			664064-4	CORD W/PLUG 2P-18-2.5M,SJ	1	PC.
60			682559-5	CORD GUARD 8	1	PC.
61			651418-4	SWITCH ST115A-40	1	PC.
62			687113-0	COVER	1	PC.
64			417185-9	REAR COVER	1	PC.
65			265995-6	TAPPING SCREW 4X18	1	PC.
66			417813-6	* SWITCH KNOB (OLD# 417188-3 - N/L/A)	1	PC.
67			819720-3	* MAKITA LABEL (OLD)	1	PC.
68	1		417184-1	* MOTOR HOUSING - N/L/A	1	PC.
	2		183406-8	* MOTOR HOUSING	1	PC.
		INC.		* Item No. 67		
	3		417812-8	* MOTOR HOUSING	1	PC.
70			643760-7	BRUSH HOLDER	1	PC.
71			233071-4	COMPRESSION SPRING 4	1	PC.
72			417187-5	SWITCH LEVER	1	PC.
73			631390-6	CONTROLLER	1	PC.
74			961052-5	RETAINING RING S-12	1	PC.
75			911119-9	PAN HEAD SCREW M4X12	3	PC.
76			911119-9	PAN HEAD SCREW M4X12	3	PC.
77			267756-0	WAVE WASHER 6	1	PC.
78			153427-4	* DUST SEAL WASHER COM. (OLD# 152988-1 - N/L/A)	1	PC.
<b><u>ACCESSORIES</u></b>				<b>- See catalogue or visit <a href="http://www.makita.ca">www.makita.ca</a> for other optional accessories -</b>		
A01			410047-0	WRENCH HOLDER 5.6	1	PC.
A02			783203-8	HEX. WRENCH 5	1	PC.
A03			824591-5	PLASTIC CARRYING CASE	1	PC.
		INC.	417059-4	LATCH	2	PC.
A04			794610-0	6" HOOK&LOOP ABRASIVE DISC 120G, 10PC/SET	1	PC.
A05	1		193286-4	PAD 6" (150MM) (SOFT) - N/L/A	1	PC.
	2		A-91207	RUBBER PAD 6" (150MM) (SOFT), WHITE	1	PC.
A06			193287-2	6" Hook & Loop Sponge Pad	1	PC.
A07			193288-0	6" Hook & Loop Felt Pad	1	PC.
A08			193289-8	6" Hook & Loop Wool Pad	1	PC.
			794619-2	6" Hook & Loop Wool Pad	1	PC.

**SERVICE CHANGES**

**1. Changes on Knob Com. Gear Housing Com., Skirt Com., etc.**

Item No.	Description	Type 1	Type 2	Type 3
5	Gear Housing Com.		152671-0	
16	Knob Com.	152672-8	152987-3	153428-2
78	Dust Seal Washer Com.	-----	152988-1	153427-4
19	Holder	162219-0		345209-0
20	Skirt Com.	152948-3		152948-3

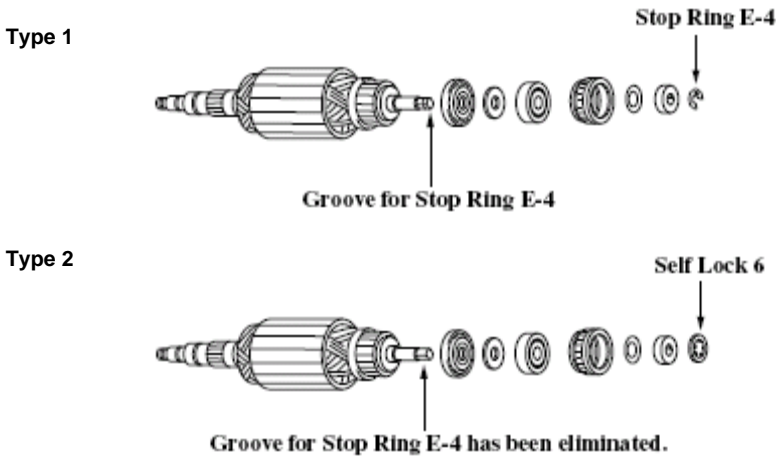
Item 16 & 78 are completely interchangeable as a set.



**2. Changes on Armature and Stop Ring E-4**

Item No.	Description	Type 1	Type 2
40	Armature Assy 115V	515201-2	515221-6
46	Stop Ring E-4 / Self Lock 6	961011-9	259039-2

Above parts are completely interchangeable as a set.



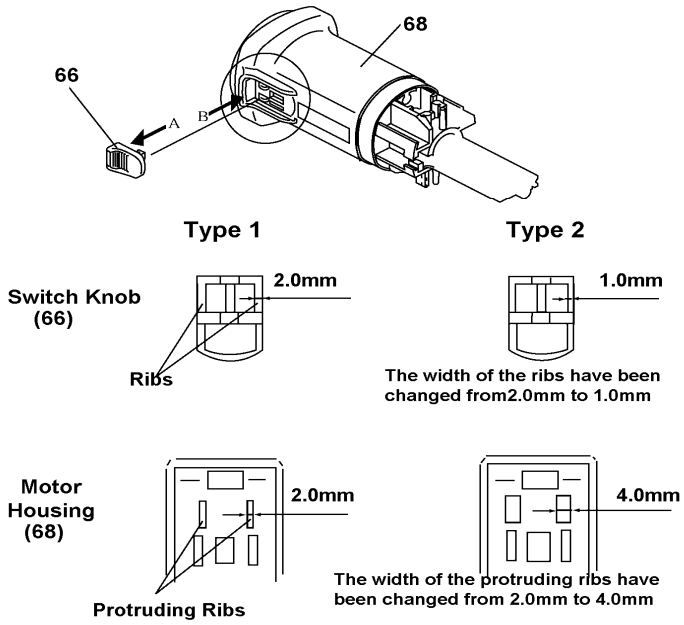
**SERVICE CHANGES**

**3. Changes on Switch Knob and Motor Housing**

Item No.	Description	Type 1	Type 2	Type 3
66	Switch Knob	417188-3	417813-6	
68	Motor Housing	417184-1	183406-8	417812-8
67	Makita Label (component of Item 68)	-----	819720-3	-----

Above parts are completely interchangeable as a set.

A.C. CARBO  
A.C. CARBO





N BRUSH CB-336 2PC/SET (W/ ORIGIN)  
N BRUSH CB-340 2PC/SET (W/ ORIGIN)